



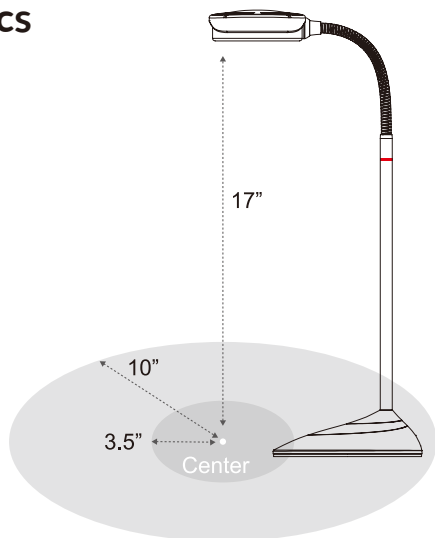
# V70

## User Guide

### Safety Instructions

- DO NOT disassemble V70. This will void the warranty.
- DO NOT install V70 in damp or wet locations.
- DO NOT expose V70 in the strong radio frequency surroundings. This may interfere with the touch panel function.
- DO NOT obstruct the fixture’s air vents.
- Only use Fiilex approved power supply and accessories. Failure to do so may damage the fixture.

### Photometrics



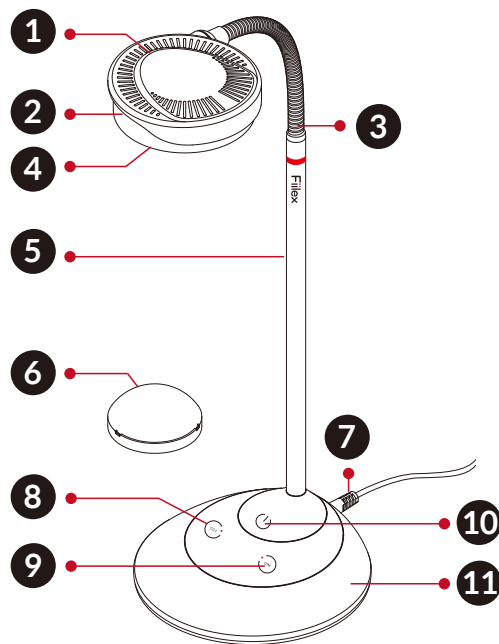
#### Highest Intensity

Position	3000K	4000K	5000K	6500K
Center	1382 lux	1543 lux	1595 lux	1605 lux
3.5"	1254 lux	1403 lux	1450 lux	1462 lux
10"	666 lux	750 lux	780 lux	795 lux

#### Lowest Intensity

Position	3000K	4000K	5000K	6500K
Center	286 lux	291 lux	278 lux	303 lux
3.5"	260 lux	266 lux	252 lux	276 lux
10"	140 lux	144 lux	137 lux	151 lux

### Parts Diagram



1. Air Vents
2. Lamp Cover
3. Flexible Arm
4. Lens
5. Stand
6. Dome Diffuser
7. DC Plug
8. CCT Touch Panel
9. DIM Touch Panel
10. Power Touch Panel
11. Base

210224A